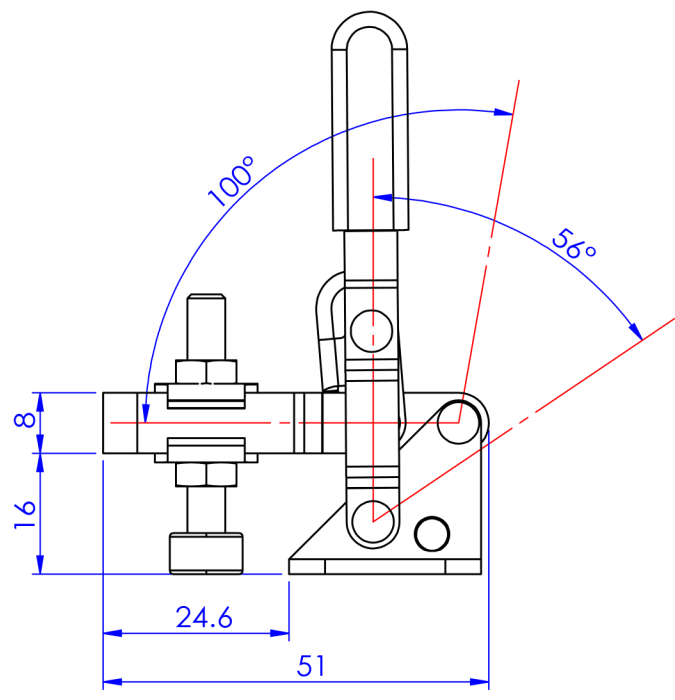
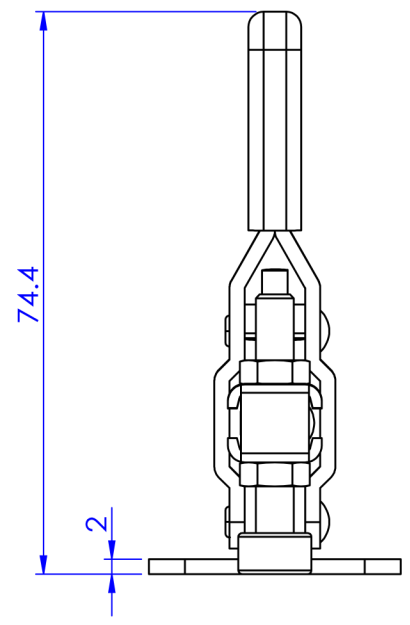
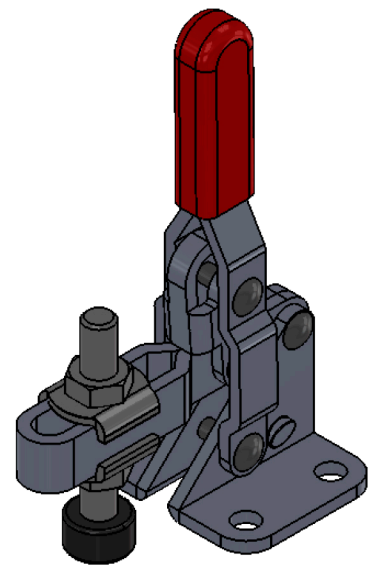
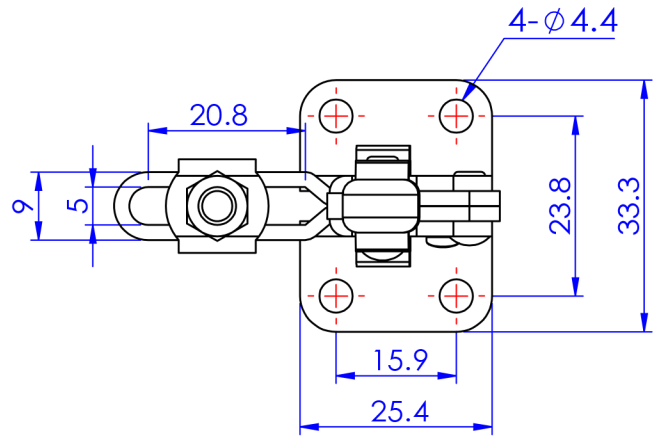


Part No:	GH-101-A
Holding Capacity:	50Kg
Bar Opens:	100°
Handle Opens:	56°
Weight:	0.064Kg
Spindle Supplied:	FC-053708-LP
Flanged Washers:	FW-100



Unit:mm
Scale: 1:1

TITLE:	
DWG NO.	GH-101-A
A4	