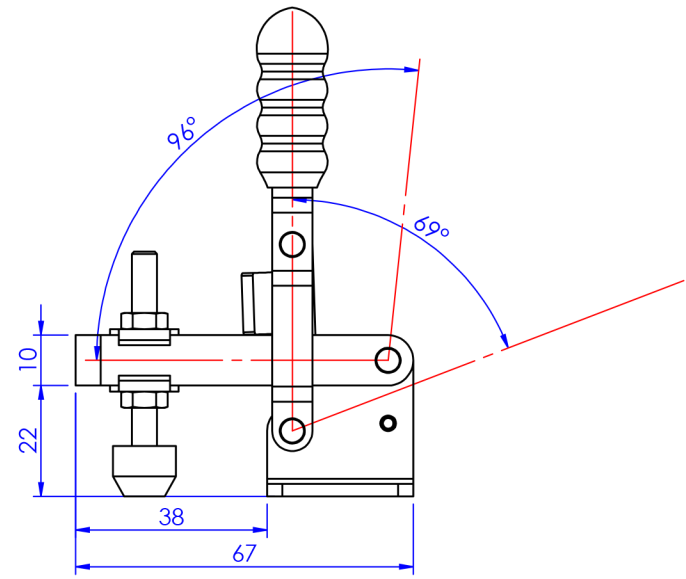
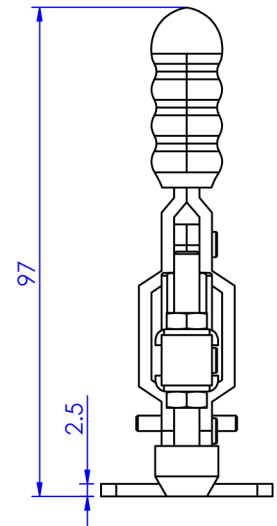
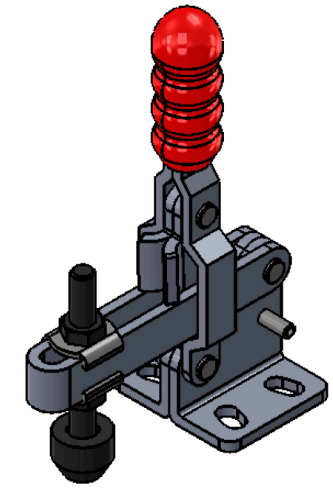
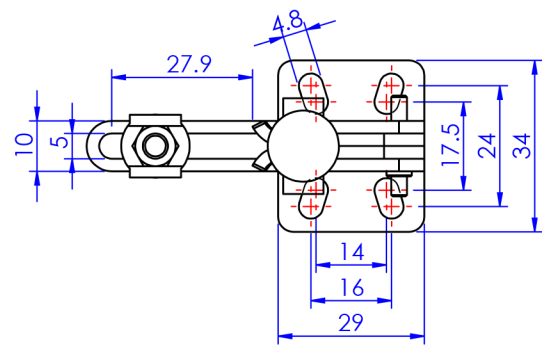


Part No:	GH-11002-B
Holding Capacity:	75Kg
Bar Opens:	96°
Handle Opens:	69°
Weight:	0.124Kg
Spindle Supplied:	SA-054008+NC-05
Flanged Washers:	FW-102B



Unit:mm  
Scale: 1:1.5

TITLE:	
DWG NO.	GH-11002-B
A4	