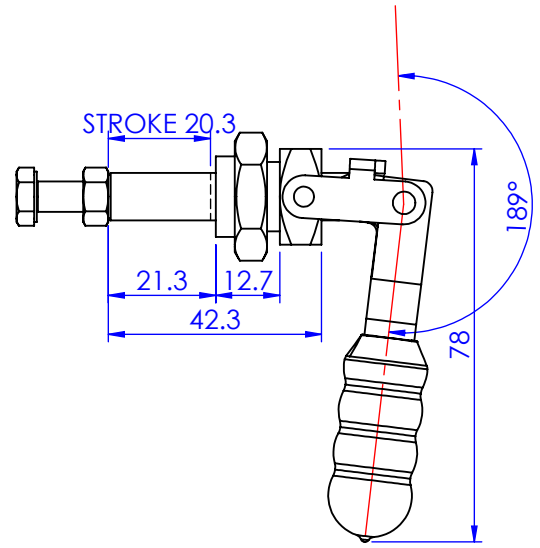
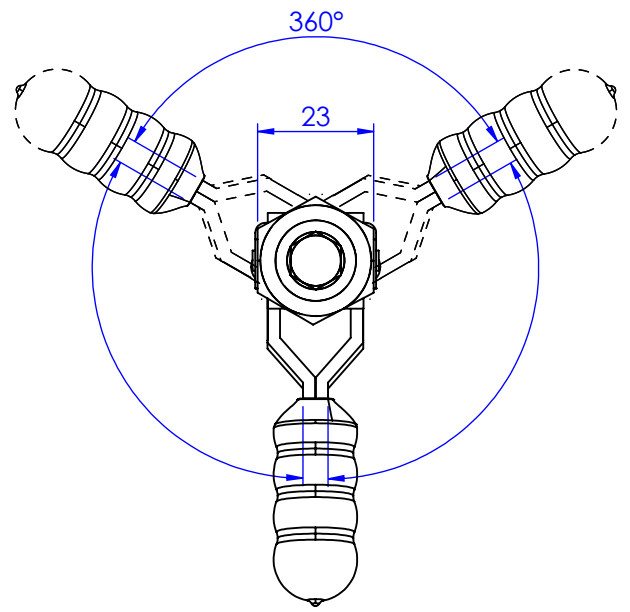
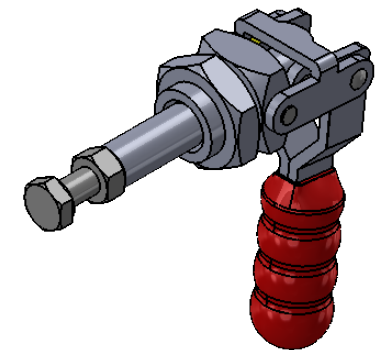
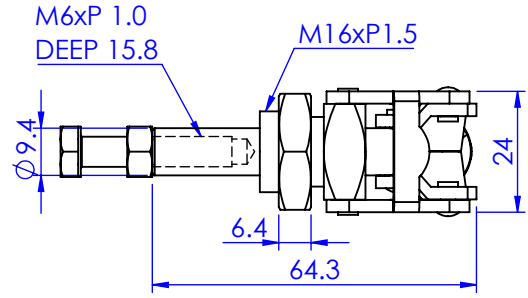


Part No:	GH-36202M
Holding Capacity:	91Kg
Plunger Stroke:	20.3mm
Handle Opens:	189°
Weight:	0.12Kg
Spindle Supplied:	SA-064010
Optional Bracket:	GH-36203



Unit:mm
Scale: 1:1.5



TITLE:		
DWG NO.	GH-36202M	A4